

FCI CONFIDENTIAL

This document is the property of and embodies CONFIDENTIAL and PROPRIETARY information of FCI. No part of the information shown on this document may be used in any way or disclosed to others without the written consent of FCI. Copyright FCI

PRODUCT NUMBER
10075024-X01-XXXLF

PLATING

S = 0.38µm GOLD ON CONTACT AREA
2µm MIN MATTE TIN ON TAIL
OVER 1.27µm MIN NICKEL

G = 0.76µm GOLD ON CONTACT AREA
2µm MIN MATTE TIN ON TAIL
OVER 1.27µm MIN NICKEL

F = GOLD FLASH ON CONTACT AREA
2µm MIN MATTE TIN ON TAIL
OVER 1.27µm MIN NICKEL

LEAD FREE
RoHS COMPATIBLE
NOTE 6

PACKAGING
NOTE 5

POSITIONS PER ROW
02 TO 25

SEE NOTE 9

NOTES:

- MATERIAL HOUSING: HIGH TEMP. THERMOPLASTIC
UL 94V-0, COLOR BLACK
- MATERIAL TERMINAL: COPPER ALLOY
- TO DETERMINE DIMENSIONS:
N = NUMBER OF POSITIONS PER ROW
- 7N MIN. PIN RETENTION IN EITHER DIRECTION.
- PACKAGING:
= PLASTIC BOX
U = TUBE WITHOUT PICK UP CAP
AVAILABLE FROM 03 TO 25 POS PER ROW
P = TUBE WITH PICK UP CAP
AVAILABLE FROM 03 TO 25 POS PER ROW
A = TAPE AND REEL WITH PICK UP CAP INSTALLED
IN THE CENTER OF THE PRODUCT FOR PICK AND PLACE
SEE TA 884 FOR PRODUCT AVAILABILITY.

6. RoHS COMPATIBLE PRODUCT SPECIFICATIONS

a - PLATING:

- "LF" MEANS THE PRODUCT IS LEAD-FREE,
2µm MINIMUM MATTE TIN OVER 1.27µm
MINIMUM NICKEL UNDERPLATE.

b - MANUFACTURING PROCESS COMPATIBILITY

- THE HOUSING WILL WITHSTAND EXPOSURE TO
260°C PEAK TEMPERATURE FOR 30 SECONDS MAX
IN A CONVECTION, INFRA-RED, OR VAPOR PHASE
OR REFLOW OVEN

c - LABELLING:

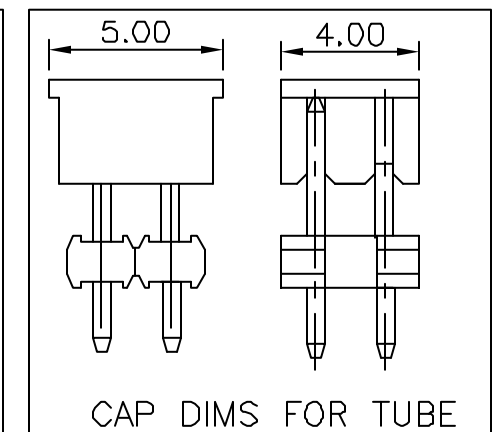
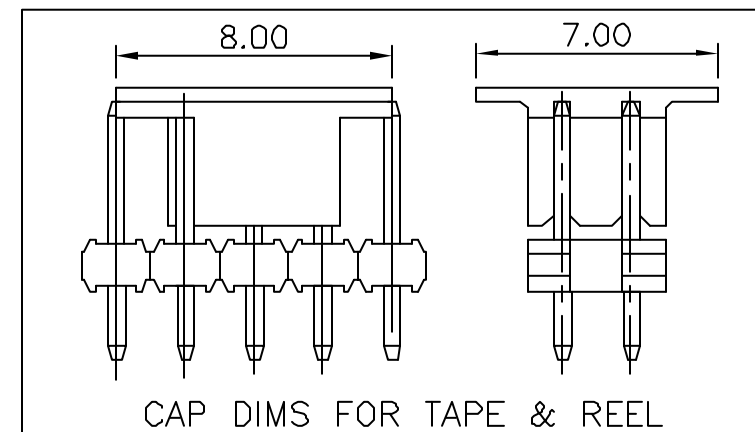
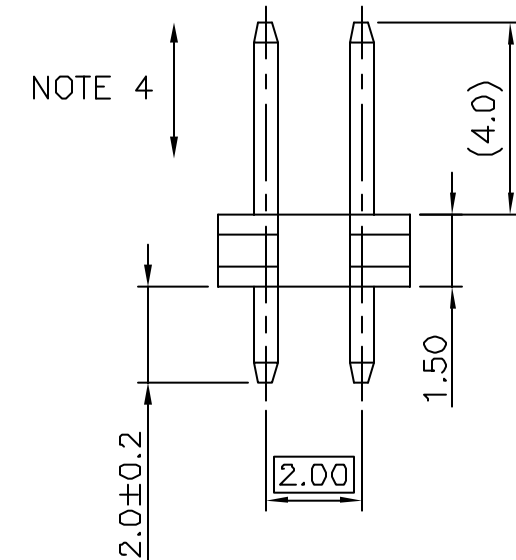
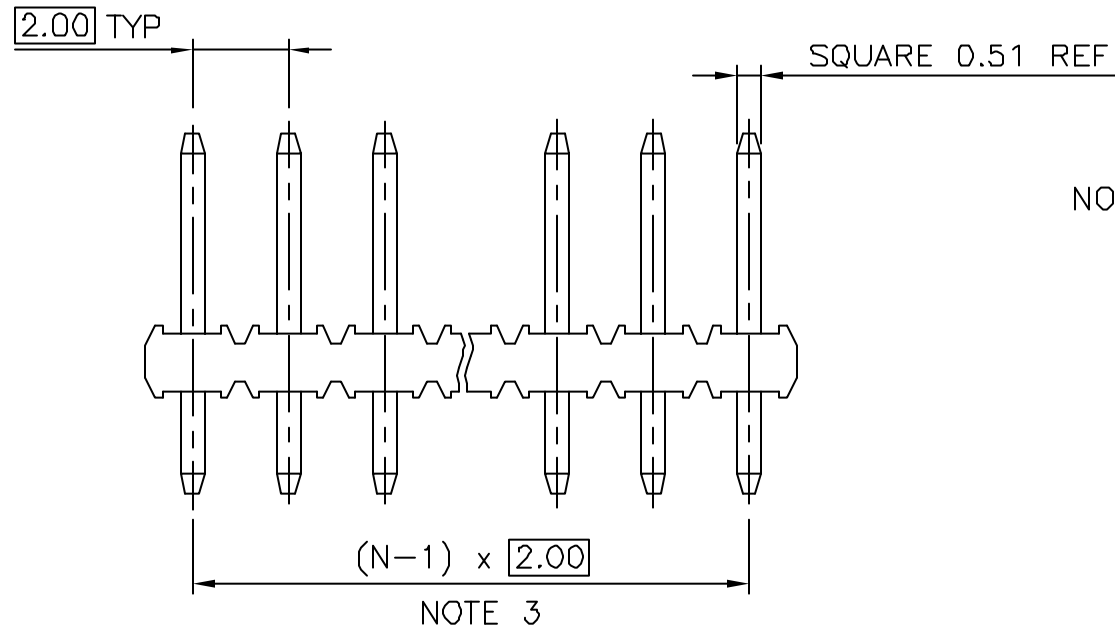
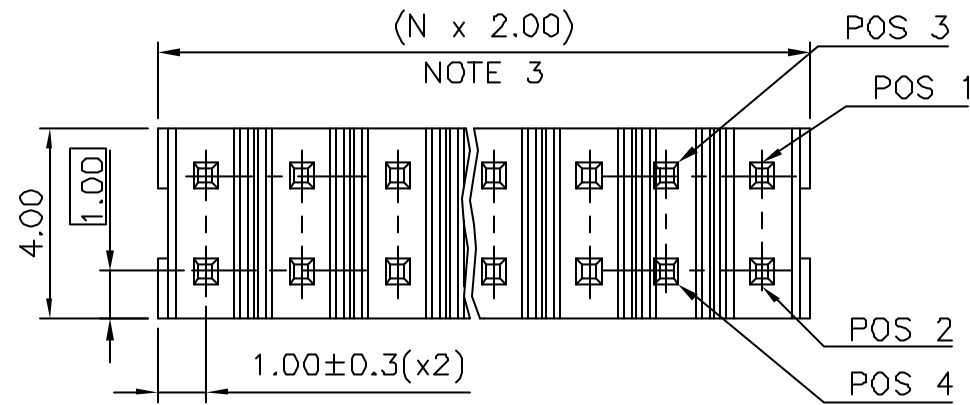
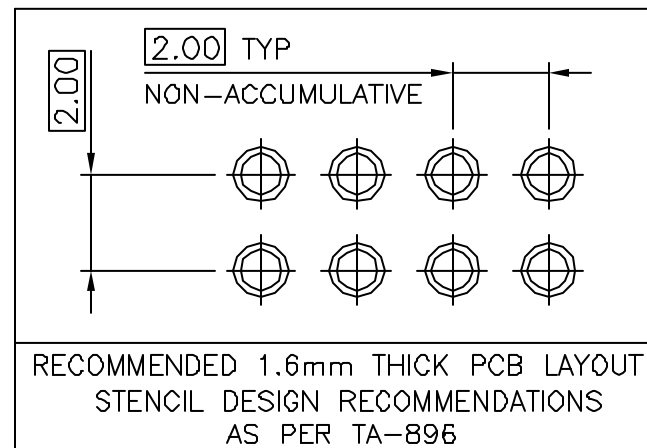
- MEETS PACKAGING SPECS AS PER GS-14-920

d - LEGAL STATEMENT: SEE GS-22-008

9. OPTIONAL LETTER:

- FOR FULL LOADED PRODUCT USE -
- FOR POLARIZED VERSIONS, SEE TABLE

| OPTIONAL LETTER FOR POLARIZED VERSION | MISSING PIN POSITION |
|---------------------------------------|----------------------|
| A | 20 |



| | | | | | |
|-------------|-----------------------|---------------------------------------|-------------------------------|------------|--|
| mat'l. code | | surface ISO 1302 | tolerance ISO 406 ISO 1101 | projection | product family MINITEK |
| ltr | ecn na dr date | tolerances unless otherwise specified | | mm | title UNSH HEADER 2.00 mm VERTICAL PIP |
| A | F06-0326 LMU 07.01.04 | angles | .X ±0.3 | | |
| B | F08-0168 LMU 08.05.08 | linear | .XX ±0.13 | | |
| C | F08-0145 ELA 08.05.19 | | .XXX ±0.05 | | |
| D | F08-0226 LMU 08.09.22 | dr | L.MULIN 07.01.04 | scale 1:1 | dwg no 10075024 |
| | | enr | J.COMPAGNON 07.01.04 | | sheet 1 of 1 size A3 |
| | | chr | | | type CUSTOMER Drawing |
| | | app | JM.C 07.01.04 | | |
| sheet index | revision sheet | | | | |